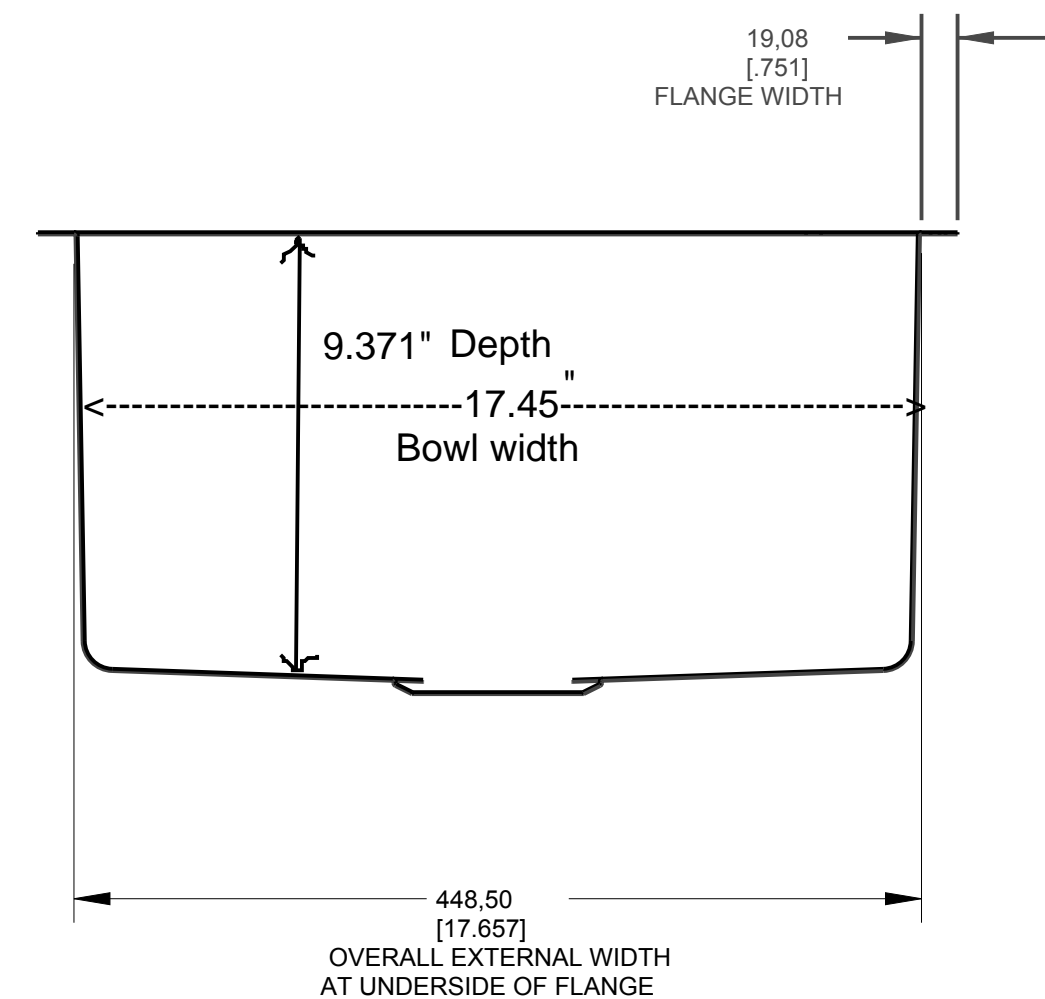
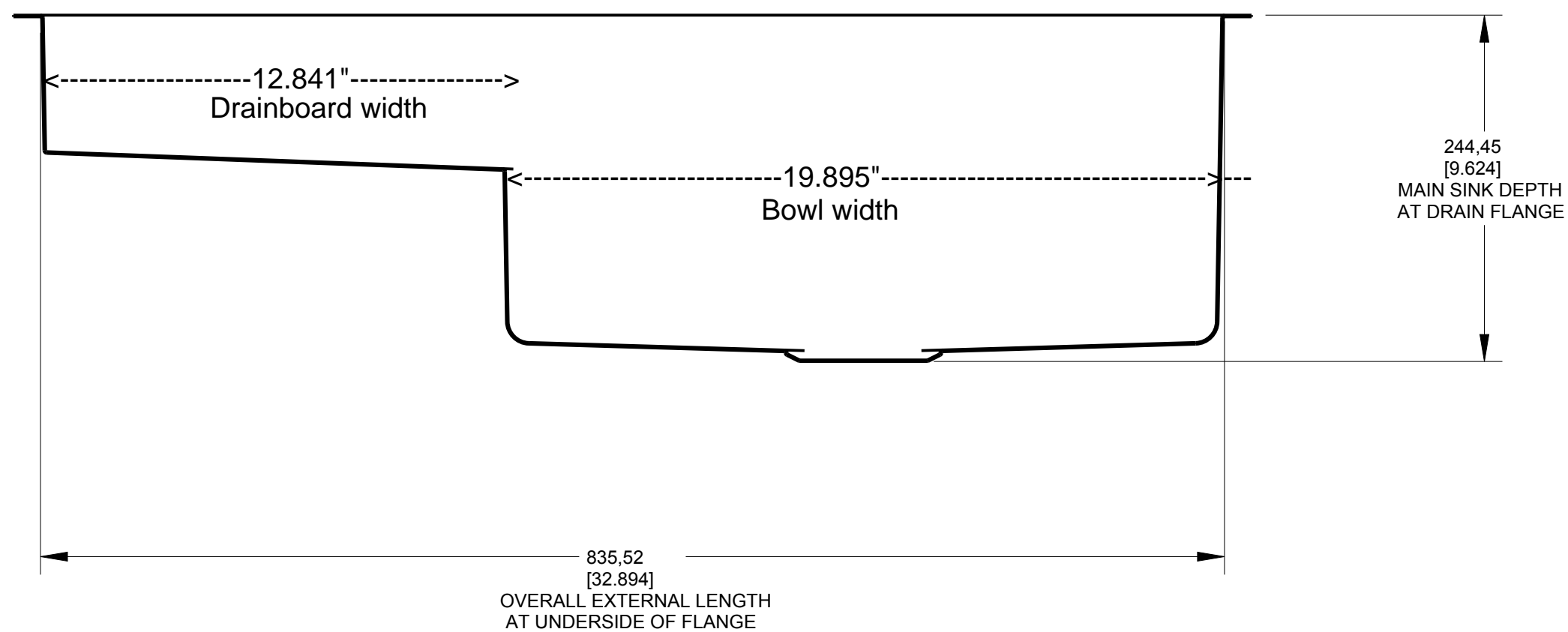
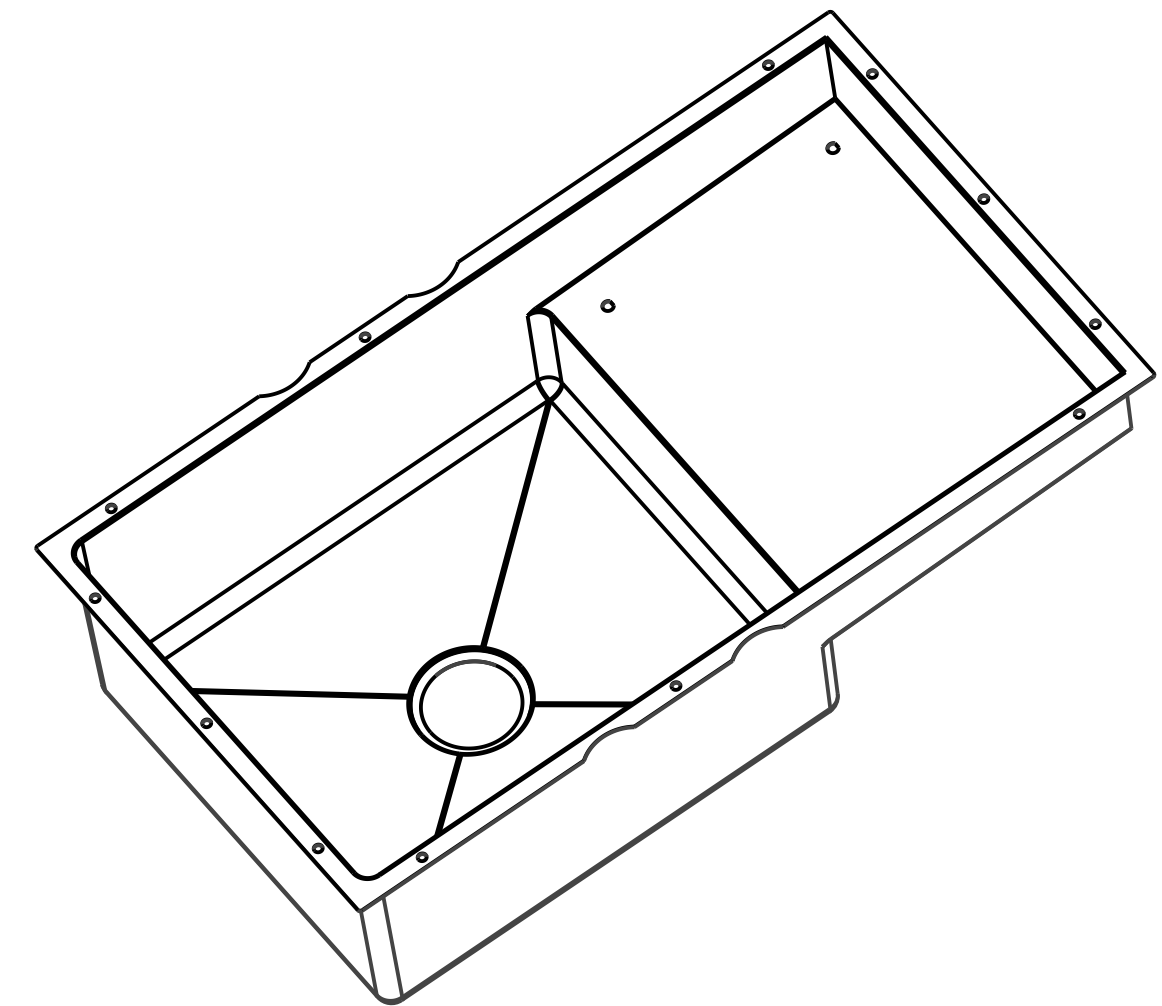
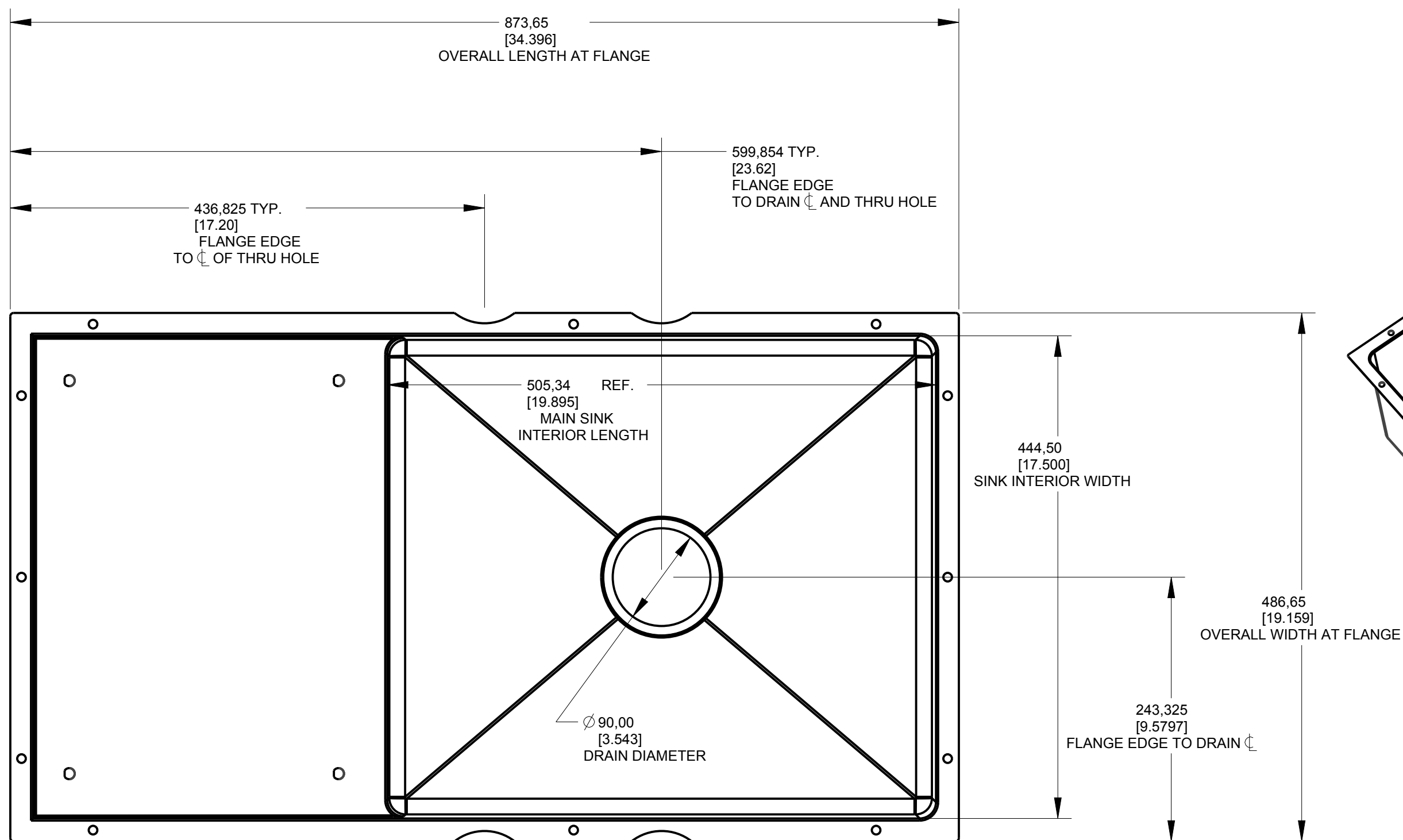


A	PRODUCTION RELEASE	04/22/2015	AEE
LTR	DESCRIPTION	DATE	BY
REVISIONS			



THIS DRAWING IS FOR REFERENCE ONLY

C	SCALE:	UNLESS OTHERWISE SPECIFIED DIMENSIONS ARE IN MILLIMETERS/(INCHES)	TITLE	LR36UNDM
	SIZE	TOLERANCES: DECIMAL: XX ± . XXX ± . XXXX ± .	DWG NO.	REF-LR36UNDM
		THIRD ANGLE PROJECTION	CUSTOMER:	SHEET 1 OF 1
		ANGLES ± .°	DRAWN BY:	AEE
		DO NOT SCALE	DATE	6/28/14

RCK SINKS INC.
Meriden, CT.